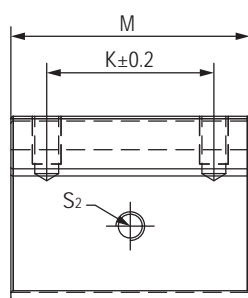
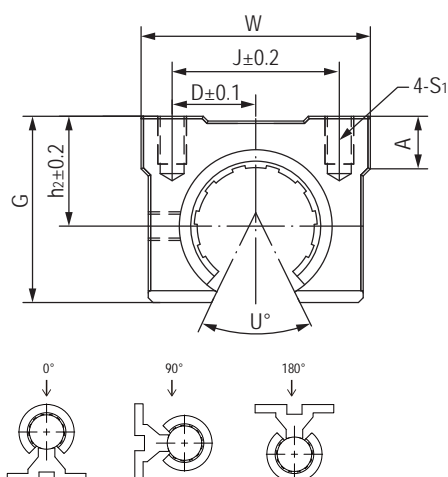


LIN-11GK 标准型开口直线轴承座 Open housing bearings



- 开口型轴承座设计
- 装配LIN-11RK直线轴承
- 阳极氧化铝合金座孔
- 螺栓固定
- 免维护、低噪音
- 适用于污垢或灰尘环境
- 使用温度 -50℃/+90℃
- Open housing design
- Assembled linear bearings LIN-11RK
- Anodized aluminum housing
- Secured by bolts
- Maintenance-free and low noise
- Resistance to dirt and dust
- Operation temperature -50℃/+90℃

标准规格 Standard specifications



产品编码 Part No.:

LIN-11GK-16

轴承内径 Inner diameter

开口设计直线轴承座
Pillow block, open design

LIN-11RK直线轴承
Standard bearings LIN-11RK

轴 Shaft: h6-h9

产品编码 Part No.	内装轴承 Bearing [mm]	轴径 Shaft [mm]	尺寸 Size [mm]										
			W	G	A	M	h ₂	D	U°	J	K	S ₁	S ₂
LIN-11GK-12	LIN-1221-32RK	12	40	27.6	8	39	17	14	80	28	26	M5*10	M5
LIN-11GK-16	LIN-1628-36RK	16	45	33	9	45	20	22.5	80	32	30	M5*12	M5
LIN-11GK-20	LIN-11RK-20	20	48	39	11	50	23	24	60	35	35	M6*12	M5
LIN-11GK-25	LIN-11RK-25	25	60	47	14	65	27	30	50	40	40	M6*12	M5
LIN-11GK-30	LIN-3045-68RK	30	70	56	15	70	33	35	50	50	50	M8*18	M5

产品编码 Part No.	内径 I.D [mm]	公差 Tolerance [mm]	F max. [N]			F max. [N]			重量 Weight [g]
			最大动载荷 Dynamic Load P=5MPa			最大静载荷 Static Load P=35MPa			
			0°	90°	180°	0°	90°	180°	
LIN-11GK-12	12	+0.030/+0.088	960	635	240	6720	4445	1680	84
LIN-11GK-16	16	+0.030/+0.088	1440	990	396	10080	6943	2772	125
LIN-11GK-20	20	+0.030/+0.091	2250	1800	900	15750	12600	6300	159
LIN-11GK-25	25	+0.030/+0.091	3625	2953	1523	25375	20670	10658	343
LIN-11GK-30	30	+0.040/+0.110	5100	4250	2278	35700	29735	15948	450